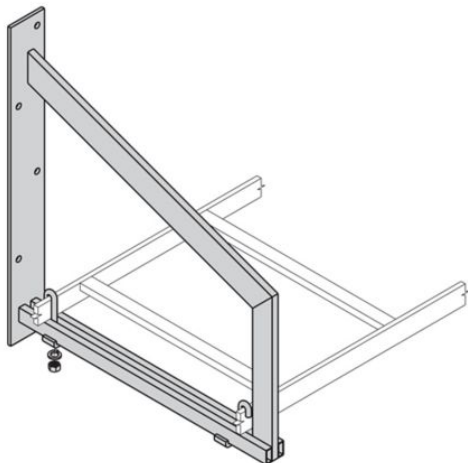


# Eaton SB214A24KTG

Catalog Number: SB214A24KTG

Eaton B-Line series runway shelf bracket, Use to support cable runway from wall, Sized for 1-1/2 and 2 inch stringers, Runway wall support, ASTM A36 structural steel, Telco gray powder coat finish

## General specifications



Product Name	Catalog Number
Eaton B-Line series runway shelf bracket	SB214A24KTG
UPC	Product Length/Depth
799038018995	27 in
Product Height	Product Width
25 in	3 in
Product Weight	Certifications
10 lb	UL Listed

## Product specifications

### Special features

Sized for 1-1/2 & 2 inch stringers

### Type

Runway wall support

### Material details

Telco gray powder coat ASTM A36 steel

### Application

Use to support cable runway from wall

## Resources

### Brochures

[Redi-Rail runway brochure](#)

### Catalogs

[Cable runway and accessories section of datacomm catalog](#)

### Specifications and datasheets

[Eaton Specification Sheet - SB214A24KTG](#)



Eaton Corporation plc  
Eaton House  
30 Pembroke Road  
Dublin 4, Ireland  
Eaton.com  
© 2023 Eaton. All Rights Reserved.

Eaton is a registered trademark.

All other trademarks are property of their respective owners.



[Eaton.com/socialmedia](https://www.eaton.com/socialmedia)